

flexitrax™ P550c

Technical specification

90/P550C-TECH-SPEC/01



flexitrax P550c technical specification

flexitrax P550c controller	
Battery capacity	Internal Li-Ion Battery (4S2P) - 14.68V, 6.4Ah (93.95Wh)
Battery run-time	Up to one day's typical usage, 7.5hrs view only / 5hrs continuous recording*
Connectivity	USB 2.0 (x3), HDMI video out, Analog video In (PAL/NTSC), Headphones out, Microphone in, Rod/Camera/Drum connectivity and 802.11 b/g/n WiFi
Construction	High impact ABS and powder-coated, zinc-plated mild steel
Controllers	flexitrax P550c command module with integrated controls for the crawler, camera, lights and sonde, and powered drum and powered elevator where fitted
	Optional pendant controller for deployment phase
Environmental Protection	flexitrax P550c controller: IP55
	Power supply/charger: IP54 rated for indoor use
Input power requirements	10-30V, 60W
Power sources	Power from drum, external mains PSU or internal battery
Power supply	Mains Input: 100-240VAC, 50-60Hz, 1.7A
	DC Output: 16V, 3.75A, 60W
Recording formats	Video: H.264. Audio: MP3. File format: MP4
Report File Formats	Basic reports, MSCC3 & 4: docx
	MSCC5: docx and Xml
	WinCan: Xml
	Video: MP4
Image: JPEG	
Storage	Integral 128Gb and support of USB flash storage
Temperature	Storage: 4°F to 176°F / -20°C to +80°C
	Operating: 14°F to 122°F / -10°C to +50°C
	Charging: 32°F to 104°F / 0°C to +40°C
Weight	16lb/7.25 kg

*May vary depending on power management settings chosen, ambient conditions, accessories attached, recording time and other factors

Pendant controller	For use in crawler deployment
Controls	Crawler, drum, camera, sonde
Construction	Linear Medium Density Polyethylene (LMDPE) and mild steel
Ingress protection	IP64
Weight	0.7 kg/1.5lbs
Dimensions	250 x 80 x 40mm/9.8 x 3.1 x 1.6"

Drums and PSU	Powered drum	Manual drum system	
		Manual drum	Power supply
Cable lengths available	100m, 150m, 200m, 250m, 305m/330', 495', 660', 820', 1000'		–
Connectivity	Direct pushrod connection, power, controller and pendant	Power supply	Direct pushrod connection, power, controller and pendant
Power supply	110-240V 50-60Hz 1.2kVA Inverter or generator to have sine-wave output	P350 Power supply	110-240V 50-60Hz 1.2kVA Inverter or generator to have sine-wave output
Construction	Powder coated steel chassis / frame with steel and Aluminum enclosure Stainless steel and Aluminum cable management mechanism		Powder coated steel chassis/frame with steel and Aluminum enclosure
Dimensions	619 x 405 x 691mm 24.4 x 16 x 27"	445 x 270 x 570mm 17.5 x 10.6 x 22.4"	418 x 195 x 420mm 16.5 x 7.7 x 16.5"
Ingress protection	IP53		
Weight (dependent on cable length)	60 to 75 kg/130 to 154lbs	20 to 35 kg/44 to 77lbs	17 kg/37.5lbs

Crawlers	P354 small crawler	P356 medium crawler
Centred pipe inspection diameter range (with appropriate accessories)	125 – 381mm/5 – 15"	175 – 1524mm/7 – 60"
Construction	Brass and Stainless Steel	
Ingress protection	IP68	
Ingress sealing	Rated to a depth of 100m/330' of water	
Sonde frequency	Selectable 512Hz/640Hz/8kHz/33kHz	
Sonde detection depth	Up to 3m/10'	
Inclinometer accuracy	±0.2°	
Steering	Fixed	Steerable
Motor(s)	1 x 50W GP32C Maxon motor	2 x 50W GP32C Maxon motor
Weight	5.4kg/12lbs 7.4kg/16.3lbs with Crawler Weight Kit	14.3 kg/31.5lbs
Dimensions (without wheels attached)	250 x 82 x 69mm/9.8 x 3.2 x 2.7"	345 x 128 x 84mm/13.6 x 5 x 3.3"

Elevators	Fixed elevator	Large manual elevator	Powered elevator	Powered elevator and compact cradle	Powered elevator and cradle
Centred pipe inspection diameter – P354 crawler	305mm 12"	–	–	–	–
Centred pipe inspection diameter – P356 crawler	380mm 15"	305mm – 610mm 12 – 24"	305mm – 900mm 12 – 36"	775 – 1360mm 30 – 54"	900 – 1500mm 36" – 60"
Construction	Stainless steel/Anodized Aluminum	Stainless steel/Anodized Aluminum	Stainless steel/Anodized Aluminum	Stainless steel/Anodized Aluminum	Stainless steel/Anodized Aluminum
Weight	0.4 kg/0.9lbs	4.5 kg/9.9lbs	5.8 kg/12.8lbs	20.8 kg/46lb	27.8kg / 61lb
Dimensions @ maximum elevation	114 x 48 x 67 mm 2.5 x 1.9 x 2.9"	230 x 90 x 420mm 9 x 3.6 x 16.5"	380 x 110 x 420mm 15 x 4.3 x 16.5"	690 x 419 x 617mm 27.2 x 16.5 x 24.3"	739 x 534 x 712mm 29.1 x 21 x 28"

Lighthouse	Provides additional light for large or dark pipes
Lighting	8 White LEDs, ≥ 850 Lumen
Construction	Stainless Steel and Aluminum
Ingress protection	IP68
Ingress sealing	Rated to a depth of 100m/330' of water
Weight	1.8kg/4.0lbs
Dimensions	Ø136 x 63mm/Ø5.4 x 2.5"

Cameras	Forward-view	Pan-Tilt	Pan-Tilt-Zoom
Functions	Forward view only	Pan 270°/Rotate 360°	Pan 270°/Rotate 360°
Zoom	-	-	10x optical, 32x digital
Resolution	≥ 690TV Lines	≥ 690TVL	≥ 700TVL
Sensitivity	< 1.0Lux	< 1.0Lux	0.125Lux @ f1.8
On-camera lighting	≥ 200lm	≥ 210lm	≥ 840lm
Focal Range	10mm to ∞		10 cm (WIDE) to ∞
Construction	Stainless Steel	Stainless Steel and Anodized Aluminum	Stainless Steel and Anodized Aluminum
Dimensions	Ø62 x 68mm/Ø2.4 x 2.7"	Ø134 x 68mm/Ø5.3 x 2.7"	Ø175 x 100mm/Ø6.9 x 4"
Weight	600g/1.3lbs	1.8kg/4.0lbs	2.1kg / 4.6lbs*

*Note, check for compatibility when using Pan-Tilt-Zoom camera with P354 crawler

Crawler wheels and spacers	Types available	
Solid wheels	Choice of: Soft compound (high grip) or Hard compound (more durable) tires	
	Small: 62mm/2½" Ø P354: for 100mm/4" pipes P356: for 150mm/6" pipes	Medium: 110mm/4¼" Ø P354: for 150mm/6" pipes P356: for 200mm/8" pipes
Pneumatic wheels	177mm/7" treaded tyres for use in larger pipes P356: for pipes larger than 375mm/15" Ø	
Dual pneumatic wheels	Stack pneumatic tires 2-wide for additional grip or to raise camera position	
Rasp wheels	Abrasive style wheels provide additional traction in slippery or relined pipes	
	Small	Medium

Wheel spacers	To space wheels out, providing centering in specific pipe sizes	
For Rasp wheels	Small, with spacers: P354: for 150mm/6" pipes	Medium, with spacers: P354: for 200mm/8" pipes P354: for 230mm/9" pipes P356: for 200mm/8" pipes P356: for 230mm/9" pipes
For medium wheels	P356: for 230mm/9" pipes	

Link cables	To connect P350 system modules together, lengths available:
Controller to PSU/Powered drum	1m/3' 5m/16'
PSU to manual drum	1m/3' 3m/10' 10m/32' 25m/82' 50m/164'
Controller to flexiprobe® P540c pushrod	5m/16'

Approvals	
CE	LVD 2006/95/EC, MD 2006/42/EC, EMC 2004/108/EC, RTTE 99/5/EC
FCC	CFR47 Part 15B
Standards	EN 61010-1:2010, IEC61010-1:2010
RoHS	Compliant

Crawler-Wheel-Elevator Configurations

Notes:

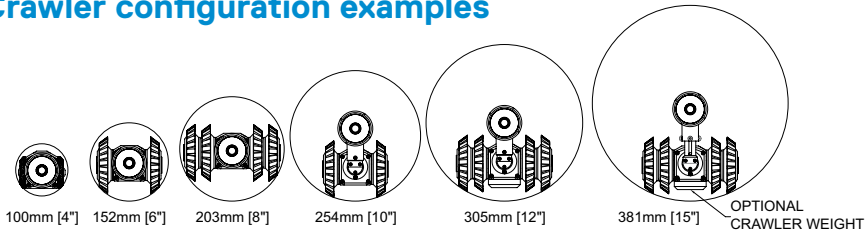
Larger and double stack wheels should be used where possible for maximum stability.

100mm/4" pipes (P354) and 150mm/6" pipes (P356) must have no non-ovality.

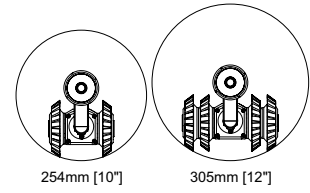
Standard wheels	P354 options		P356 options	
Pipe size	Wheels	Elevator	Wheels	Elevator
100mm/4"	Small standard	None	n/a	n/a
152mm/6"	Medium standard	None	Small standard	None
203mm/8"	Double-stacked medium standard	None	Medium standard	None
254mm/10"	Medium standard	Fixed	Double-stacked medium standard	None
	Medium standard	Adjustable		
305mm/12"	Double-stacked medium standard	Fixed	Medium standard	Fixed
	Double-stacked medium standard	Adjustable	Medium standard	Adjustable
			Medium standard	Large adjustable
381mm/15"	Double-stacked medium wheels	Adjustable	Medium standard	Large adjustable
			Large standard	Fixed
			Large standard	Adjustable
457mm/18"	n/a	n/a	Large standard	Adjustable
			Large standard	Large adjustable
			Double-stacked large standard	Adjustable
			Double-stacked large standard	Large adjustable
533mm/21"	n/a	n/a	Large standard	Large adjustable
			Double-stacked large standard	Large adjustable
610mm/24"	n/a	n/a	Large standard	Large adjustable
			Double-stacked large standard	Large adjustable
305-762mm/12-30"	n/a	n/a	Medium standard	Powered
381-864mm/15-34"	n/a	n/a	Large standard	Powered
457-915mm/18-36"	n/a	n/a	Double-stacked large standard	Powered

Grit wheels	P354 options – no elevator required		P356 options – no elevator required	
Pipe size	Wheels	Wheel adaptor	Wheels	Wheel adaptor
152mm/6"	Small grit	3-groove	n/a	n/a
203mm/8"	Large grit	4-groove	Large grit	1-groove
229mm/9"	Large grit	5-groove	Large grit	2-groove

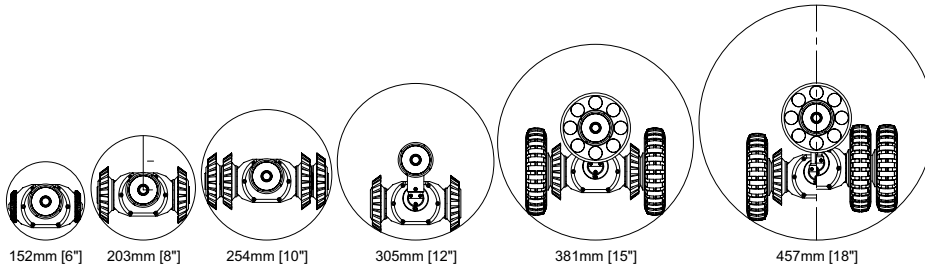
Crawler configuration examples



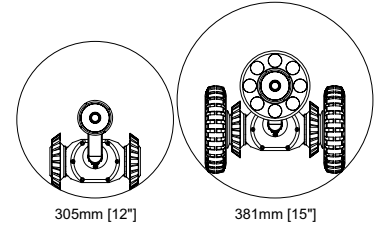
P354 CRAWLER (ADJUSTABLE ELEVATOR) CONFIGURATIONS
(100mm [4"] - 381mm [15"] PIPE)



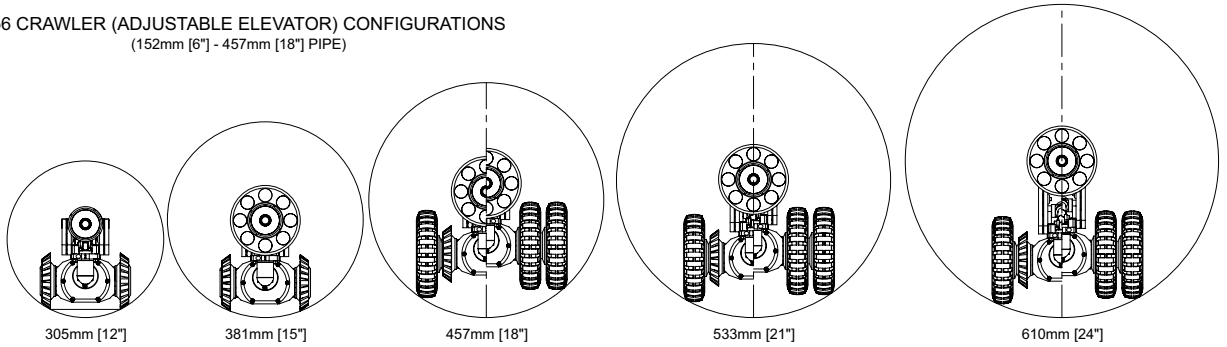
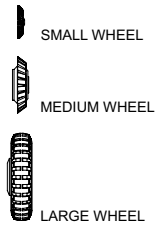
P354 CRAWLER (FIXED ELEVATOR) CONFIGURATIONS
(254mm [10"] - 305 [12"] PIPE)



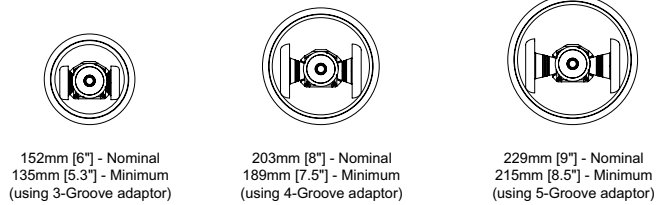
P356 CRAWLER (ADJUSTABLE ELEVATOR) CONFIGURATIONS
(152mm [6"] - 457mm [18"] PIPE)



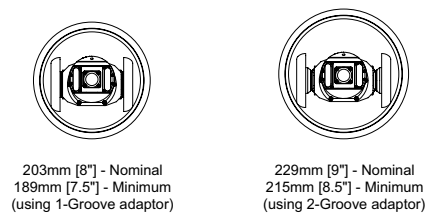
P356 CRAWLER (FIXED ELEVATOR) CONFIGURATIONS
(305mm [12"] - 381mm [15"] PIPE)



P356 CRAWLER (LARGE ADJUSTABLE ELEVATOR) CONFIGURATIONS
(305mm [12"] - 610mm [24"] PIPE)

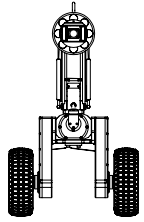


P354 CRAWLER RASP WHEEL CONFIGURATIONS
(152mm [6"] - 229mm [9"] PIPE)

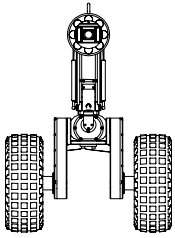


P356 CRAWLER RASP WHEEL CONFIGURATIONS
(203mm [8"] - 229mm [9"] PIPE)

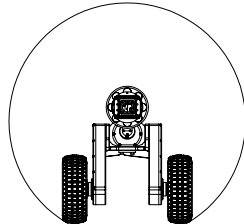
Crawler configuration examples (continued)



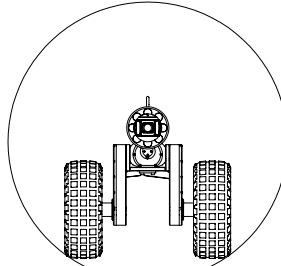
COMPACT CRADLE
PIPE RANGE 762mm TO 1219mm [30" TO 48"]



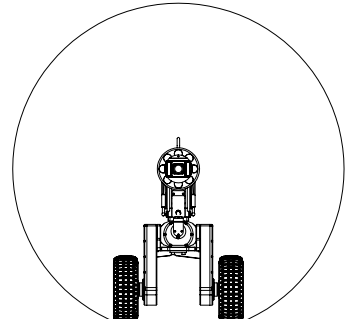
LARGE CRADLE
PIPE RANGE 914mm TO 1524mm [36" TO 60"]



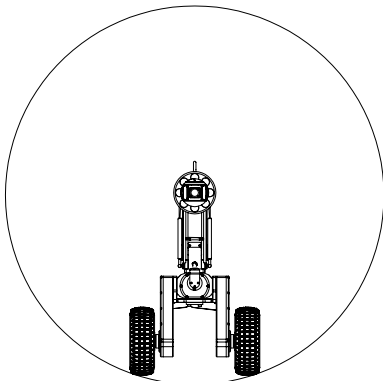
762mm [30"]



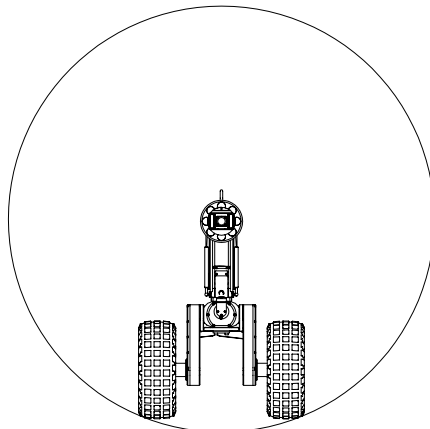
914mm [36"]



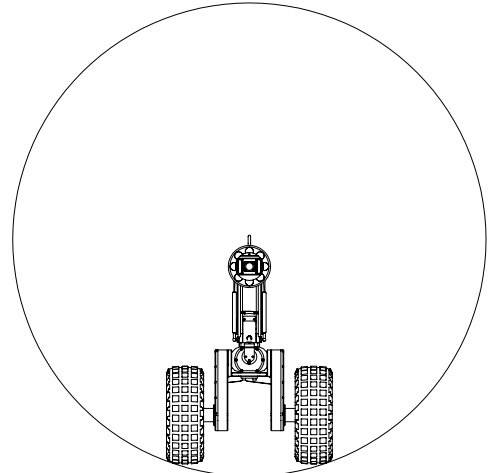
1067mm [42"]



1219mm [48"]



1372mm [54"]



1524mm [60"]

Visit www.pearpoint.com

Global locations

Radiodetection (USA)

28 Tower Road, Raymond, Maine 04071, USA

Toll Free: +1 (877) 247 3797 Tel: +1 (207) 655 8525 rd.sales.us@spx.com

Pearpoint (USA)

39-740 Garand Lane, Unit B, Palm Desert, CA 92211, USA

Toll Free: +1 800 688 8094 Tel: +1 760 343 7350 pearpoint.sales.us@spx.com

Schonstedt Instrument Company (USA)

100 Edmond Road, Kearneysville, WV 25430 USA

Toll Free: +1 888 367 7014 Tel: +1 304 724 4722 schonstedt.info@spx.com

Radiodetection (Canada)

344 Edgeley Boulevard, Unit 34, Concord, Ontario L4K 4B7, Canada

Toll Free: +1 (800) 665 7953 Tel: +1 (905) 660 9995 rd.sales.ca@spx.com

Radiodetection Ltd. (UK)

Western Drive, Bristol, BS14 0AF, UK

Tel: +44 (0) 117 976 7776 rd.sales.uk@spx.com

Radiodetection (France)

13 Grande Rue, 76220, Neuf Marché, France

Tel: +33 (0) 2 32 89 93 60 rd.sales.fr@spx.com

Radiodetection (Benelux)

Industriestraat 11, 7041 GD 's-Heerenberg, Netherlands

Tel: +31 (0) 314 66 47 00 rd.sales.nl@spx.com

Radiodetection (Germany)

Groendahlscher Weg 118, 46446 Emmerich am Rhein, Germany

Tel: +49 (0) 28 51 92 37 20 rd.sales.de@spx.com

Radiodetection (Asia-Pacific)

Room 708, CC Wu Building, 302-308 Hennessy Road, Wan Chai, Hong Kong SAR, China

Tel: +852 2110 8160 rd.sales.asiapacific@spx.com

Radiodetection (China)

Ming Hao Building D304, No. 13 Fuqian Avenue, Tianzhu Town, Shunyi District, Beijing 101312, China

Tel: +86 (0) 10 8416-3372 rd.service.cn@spx.com

Radiodetection (Australia)

Unit H1, 101 Rookwood Road, Yagoona NSW 2199, Australia

Tel: +61 (0) 2 9707 3222 rd.sales.au@spx.com